

# Needle Valves • SNVF Series



## Forged Integral Bonnet Needle Valves

**SNVF Series**(Female Thread)

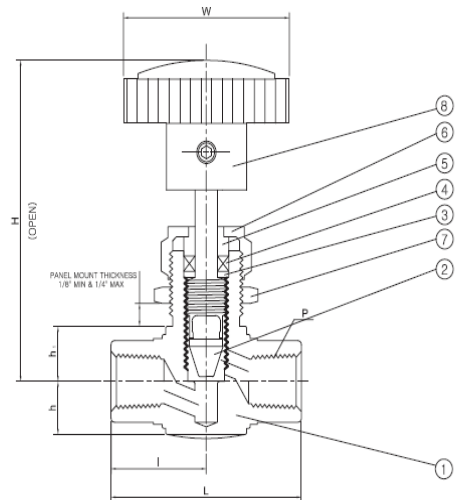


### Specification

End Connection : Female NPT or PT(ISO 7/1)  
 Max. Operating Temperature : -53℃(-65°F) ~ +232℃(+450°F)  
 Max. Operating Pressure : ASTM A182 F316 - 5000psi  
 Brass - 3000psi

### Materials of Construction

No.	Description	316SS Valve	Brass Valve	
1	Body	316SS	Brass	
2	Stem	316SS	Brass	
3	Packing Ring	316SS	Brass	
4	Packing	PTFE	PTFE	
5	Packing Gland	316SS	Brass	
6	Packing Nut	316SS	Brass	
7	Panel Nut	316SS	Brass	
8	Handle	Standard	Round(PC)	Round(PC)
		Alternative	Bar(316SS)	Bar(Brass)



### Table of Dimension

Part No.	P (NPT)	Orifice	Cv	L	I	h	h1	H (Open)	W	Unit : mm
										Panel Hole Drill Size
SNVF-02N	1/8	4.4	0.37	42.0	21.0	9.5	11.0	59.0	35.0	13.5
SNVF-04N	1/4	6.4	0.73	56.0	28.0	12.7	12.7	71.0	47.0	20.0
SNVF-06N	3/8	7.2	1.15	60.0	30.0	16.0	13.0	99.0	56.0	23.0
		9.5	1.80	76.0	38.0	19.0	19.0	99.0	56.0	23.0
SNVF-08N	1/2	9.5	1.80	76.0	38.0	19.0	19.0	99.0	56.0	23.0

Male ISO Tapered Threads are available for all SNVF Series. Add "R" as a suffix instead of "N"  
 Note : Dimensions are reference only, subject to change without prior notice.