

Hex Ball Valves • SHBVU series



SHBVU Series (Uni-Lok Tube Fitting)

Specification

Max Operating Pressure : 316SS- 1000psi(69Bar)
 Connection : Uni-Lok Tube Fitting



Materials of Construction

No.	Description	Materials
1	Body	316SS
2	Connector	316SS
3	Front Ferrule	316SS
4	Back Ferrule	316SS
5	Nut	316SS
6	Ball Seat	PTFE(Glass 30%)
7	O-ring	Viton
8	Ball	316SS
9	Inner Packing	TFE
10	Stem	316SS
11	Outer Packing	TFE
12	Gland	316SS
13	Washer	316SS
14	Handle	AL304+PVC COT

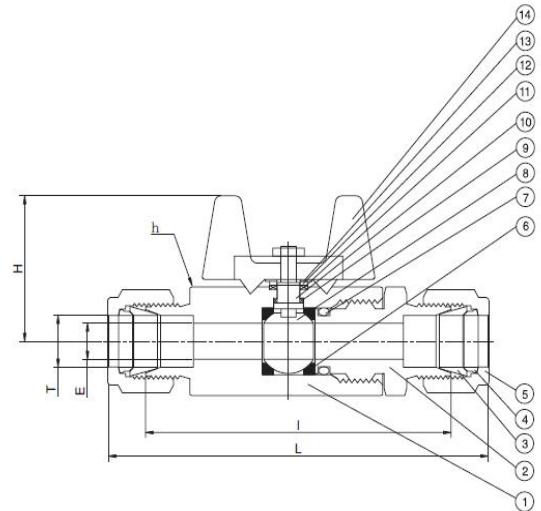


Table of Dimension

Unit : mm

Part No.	Tube O.D.	Orifice	h(Hex)	L	H
04-SHBVU	1/4"	5.0	17.46	81.0	35.0
06-SHBVU	3/8"	7.5	22.22	90.0	42.0
08-SHBVU	1/2"	9.0	26.98	99.0	49.0
12-SHBVU	3/4"	12.5	31.75	110.0	54.0
16-SHBVU	1"	16.0	38.10	134.0	65.0
M06-SHBVU	6mm	5.0	17.46	81.0	35.0
M08-SHBVU	8mm	5.0	17.46	82.8	35.0
M10-SHBVU	10mm	7.5	22.22	90.0	42.0
M12-SHBVU	12mm	9.0	26.98	99.0	49.0
M25-SHBVU	25mm	16.0	38.10	134.0	65.0

Note : Dimensions are reference only, subject to change without prior notice.