

# Pressure Reducing Valve • SPRV Series



## SPRV Series



### SPRV Series

In modern power generation plants & general industrial boilers, chemical analysis of water and steam samples requires precise control of flow and pressure. High pressure reduction occurs unique sampling problems.

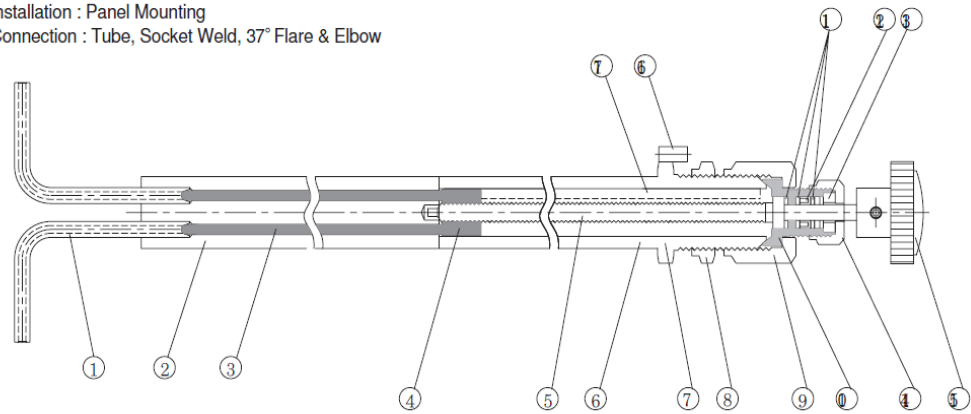
Uni-Lok SPRV series is a valve specially designed to solve these kinds of problems.

### Features

- No Plugging
- Easy Cleaning & Maintaining
- Simple adjusting under various pressure conditions
- No corrosion

### Specification

- Max Operating Temperature : 50°C (122°F)~149°C (300°F)
- Max Operating Pressure : 5000psi at 149°C (300°F)
- Sample Flow Range : 150ml/min~4000ml/min
- Pressure Reducing Range : 5~5000 psi
- Installation : Panel Mounting
- Connection : Tube, Socket Weld, 37° Flare & Elbow



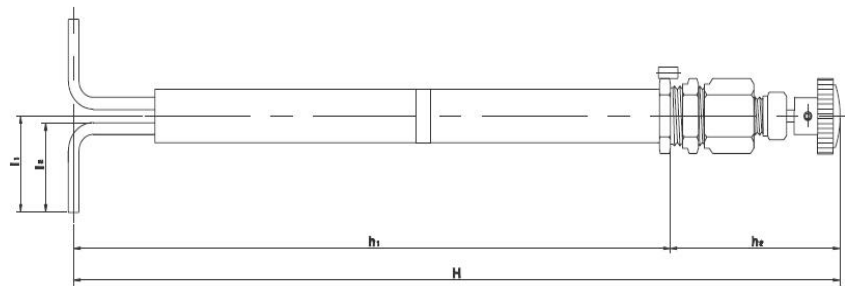
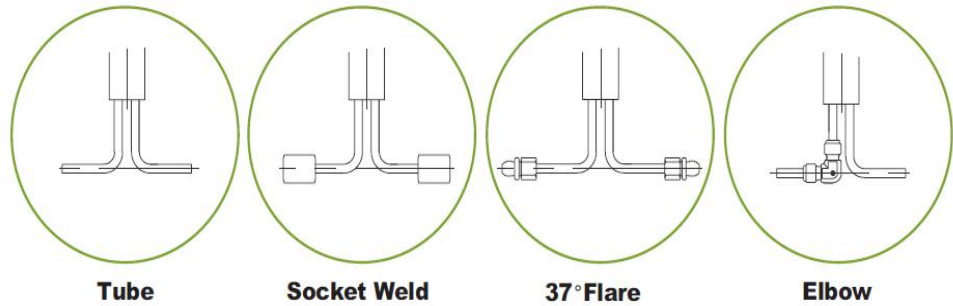
### Materials of Construction

No.	Description	Materials	No.	Description	Materials	No.	Description	Materials
1	Tube	316SS	7	Bushing Body	304SS	13	Spindle Gland	Brass
2	Seat Body	304SS	8	Pannel Nut	316SS	14	Spindle Nut	316SS
3	Long Stem	316SS	9	Body Nut	316SS	15	Handle	Xenoy
4	Stem Holder	316SS	10	Spindle Bushing	316SS	16	Loader	304SS
5	Spindle	316SS	11	Gasket Ring	Brass/TFE	17	Holder Loader	304SS
6	Middle Body	304SS	12	Packing Seal	PTFE			

# Pressure Reducing Valve • SPRV Series



## End Connection



## Table of Dimensions

Part No.	Port Connection	H	h1	h2	l1	l2
SPRV-04T	1/4 Tube	461	359	102	51.6	48
SPRV-04P	1/4 Socket Weld	461	359	102	51.6	48
SPRV-04F	1/4 37° Flare	461	359	102	51.6	48
SPRV-04E	1/4 Union Elbow	461	359	102	51.6	48
SPRV-05T	5/16 Tube	461	359	102	51.6	48
SPRV-05P	5/16 Sock Weld	461	359	102	51.6	48
SPRV-05E	5/16 Union Elbow	461	359	102	51.6	48

SPRV-04E & 05E is more easily cleaning and maintaining.

Note : Dimensions are reference only, subject to change without prior notice.